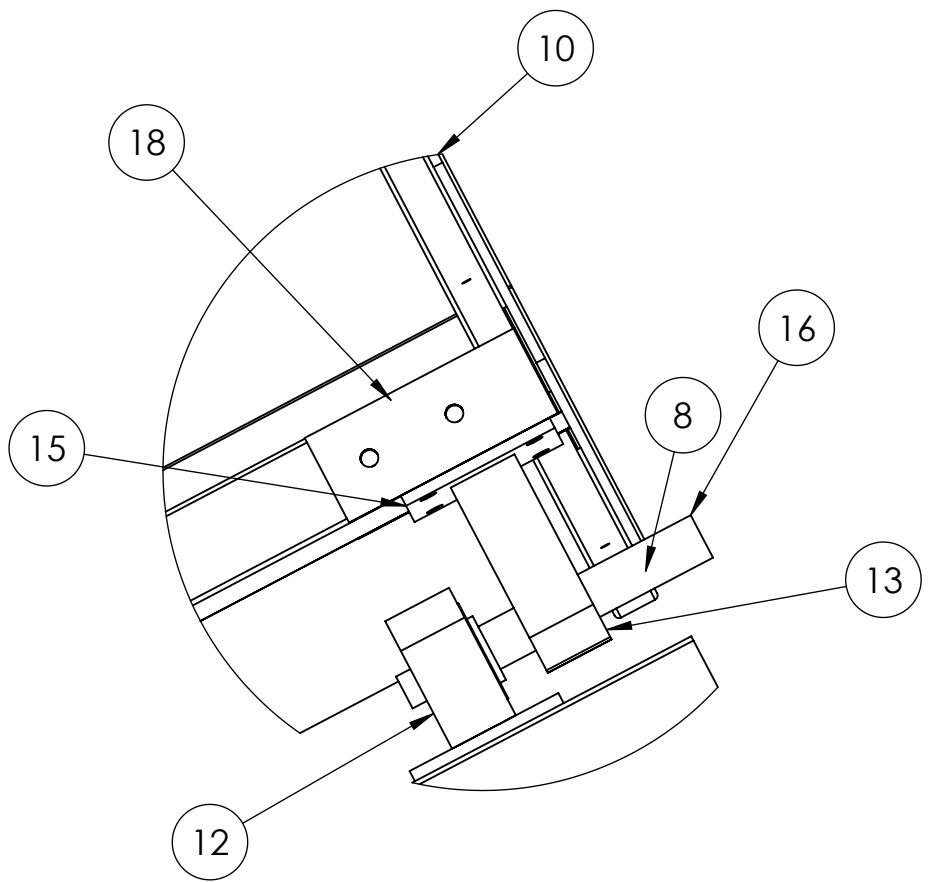
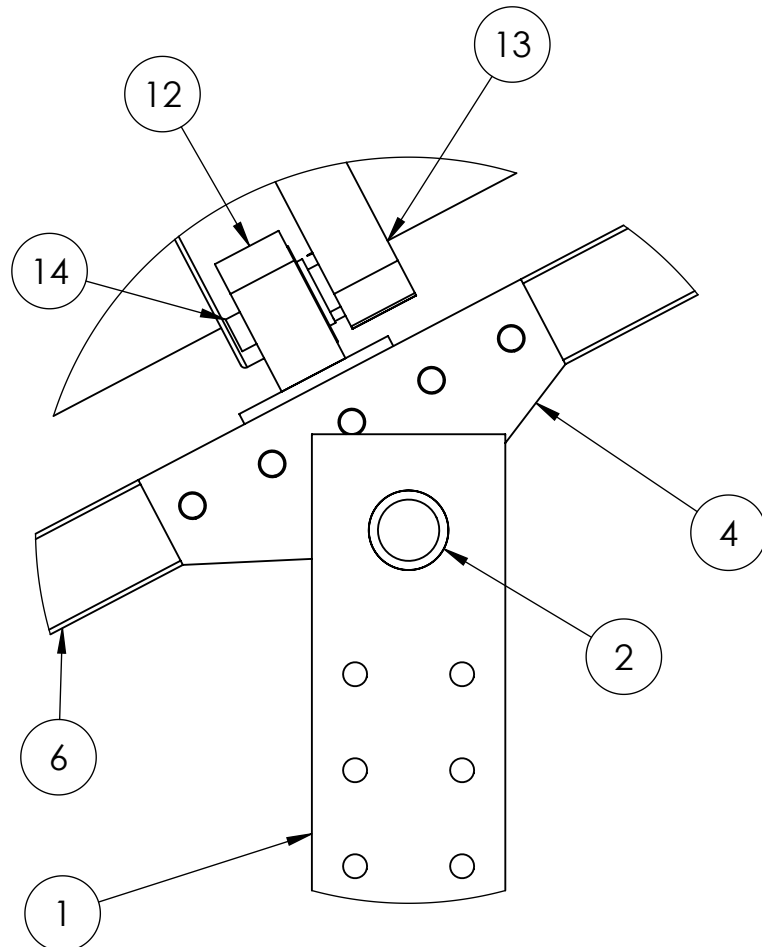
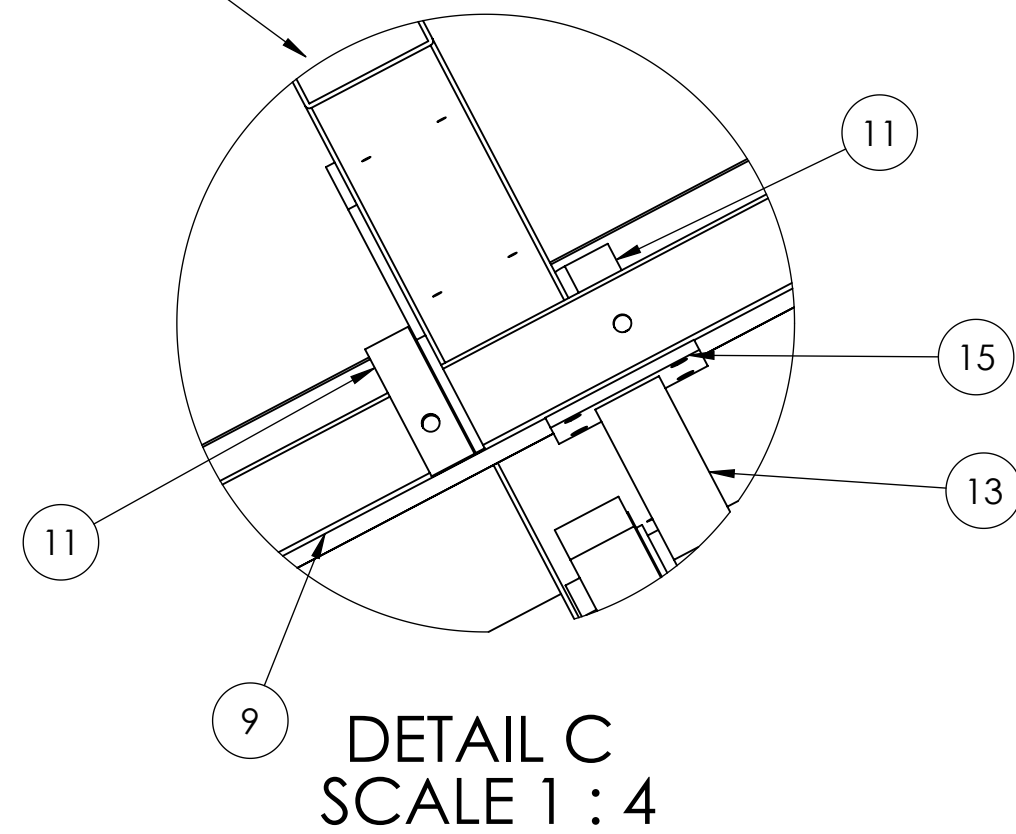
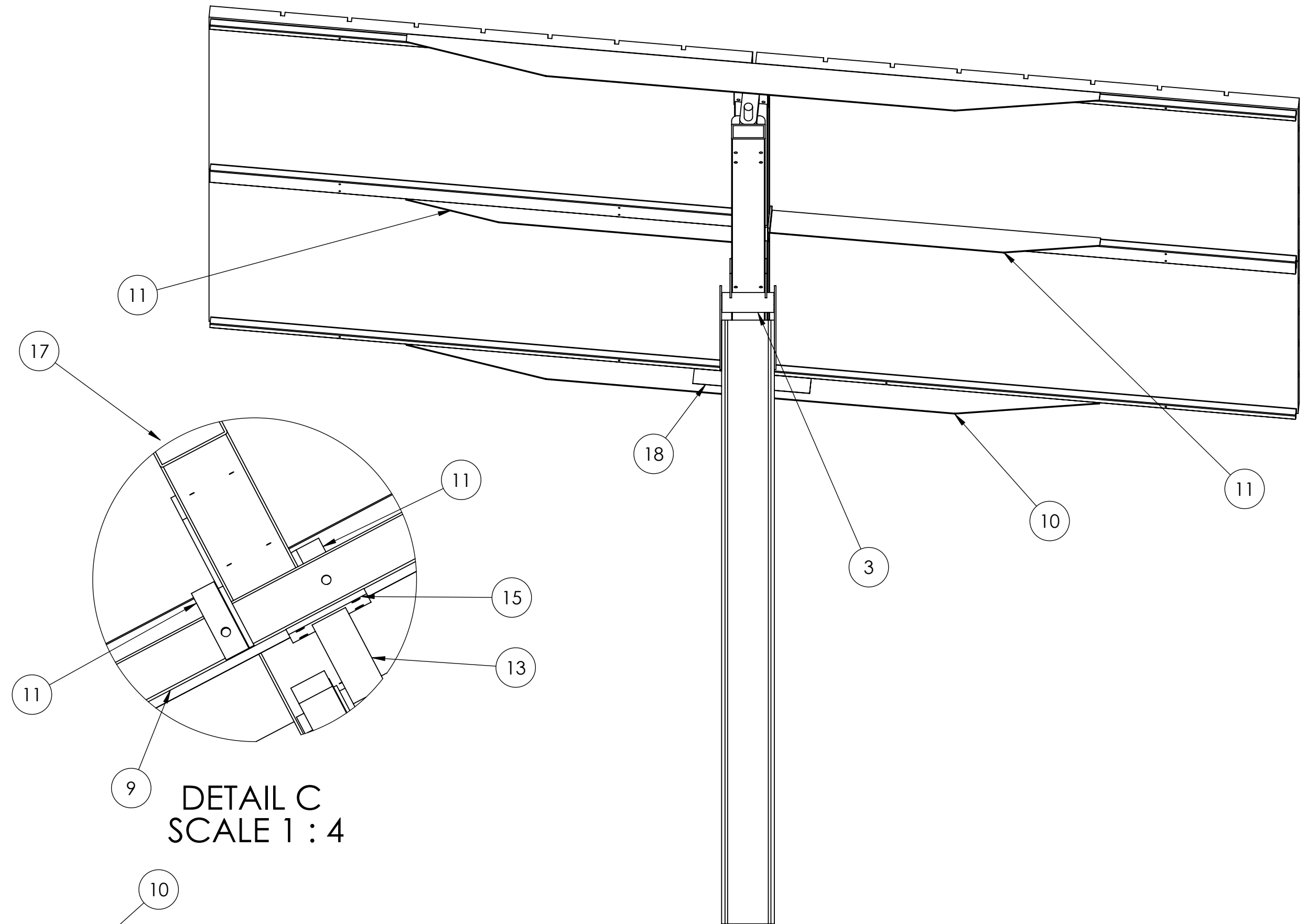
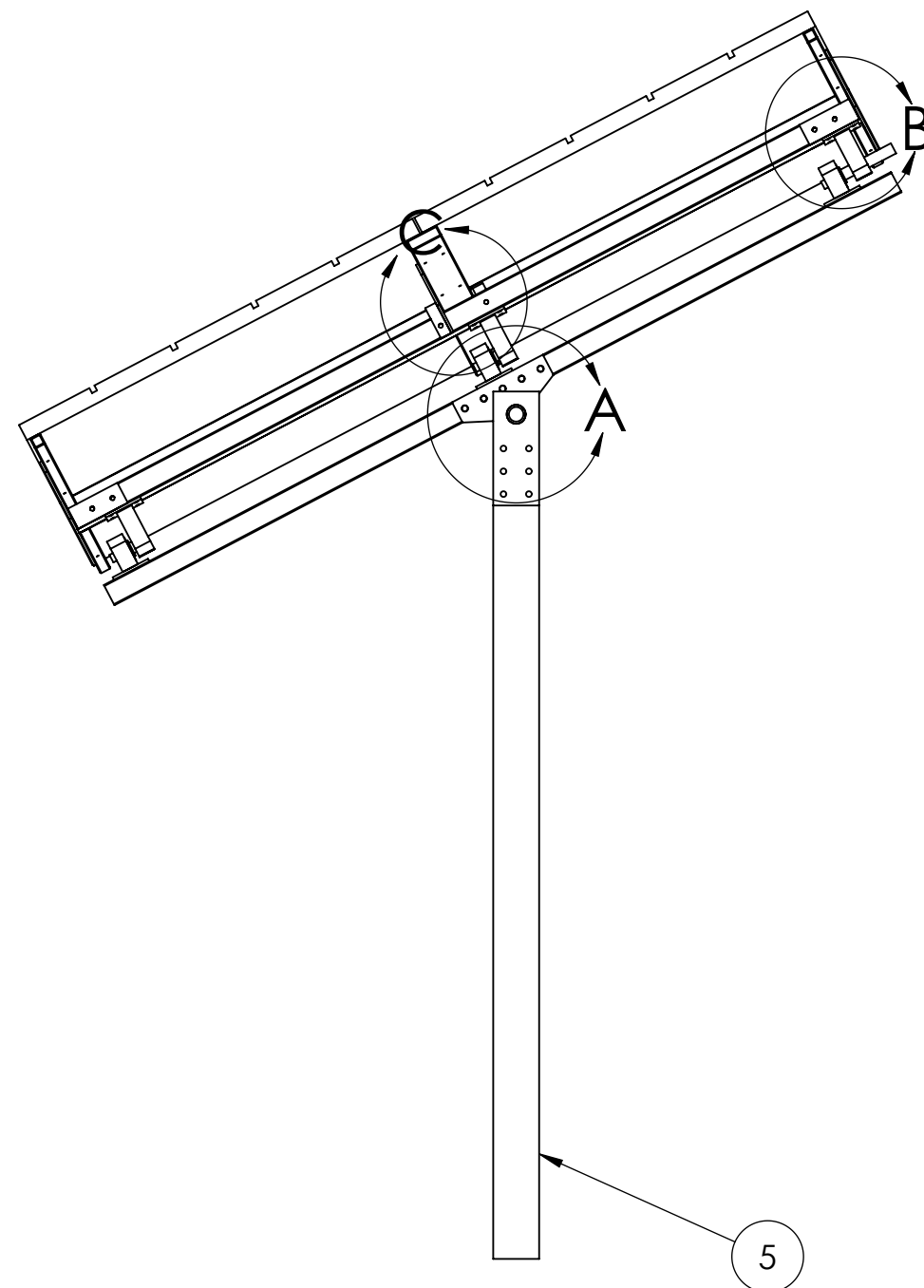


8 7 6 5 4 3 2 1

F
E
D
C
B
A



ITEM NO.	PART NUMBER	DESCRIPTION	QTY.
1	I-Beam Bracket	I-Beam Bracket	2
2	Inner Tube	Inner Tube	1
3	Outer Tube	Outer Tube	1
4	Seasonal Spine Bracket	Seasonal Spine Bracket	2
5	i-beam		1
6	Seasonal Spine	Seasonal Spine	1
7	Single Solar Panel		4
8	End Rib	End Rib	2
9	Day Spine	Day Spine	1
10	End Joist	End Joist	2
11	Center Joist	Center Joist	2
12	Bearing Assembly		3
13	Shaft Block	Shaft Block	3
14	Free Shaft	Free Shaft	2
15	Block Plate	Block Plate	3
16	Drive Shaft	Drive Shaft	1
17	Center Rib	Center Rib	1
18	Spine Joist Bracket		4

MIRCOM TECHNOLOGIES LTD. 25 INTERCHANGE WAY VAUGHAN, ON, CANADA, L4K5W3
PHONE: (905)660-4655 FAX: (905)660-4113

DRAWN BY Ahmad O.	DATE	UNLESS OTHERWISE SPECIFIED:	MATERIAL
APPROVED BY	DATE	DIMENSIONS ARE IN INCHES	TITLE:
<small>PROPRIETARY AND CONFIDENTIAL</small> <small>THE INFORMATION CONTAINED IN THIS DRAWING IS THE SOLE PROPERTY OF MIRCOM TECHNOLOGIES LTD. ANY REPRODUCTION IN PART OR AS A WHOLE WITHOUT THE WRITTEN PERMISSION OF MIRCOM TECHNOLOGIES LTD. IS PROHIBITED.</small>		<small>TOLERANCES:</small> ANGULAR: BEND ±0.5° ONE PLACE DECIMAL ±0.050" TWO PLACE DECIMAL ±0.020" THREE PLACE DECIMAL ±0.010"	<small>USED ON:</small> -
<small>DO NOT SCALE DRAWING</small>		<small>THIRD ANGLE PROJECTION</small> 	<small>SIZE DWG. NO. REV</small> C Mr. Neutron -
<small>SCALE: 1:32 WEIGHT: 571.37 SHEET 1 OF 1</small>			

8 7 6 5 4 3 2 1